
ALPHA WIRE COMPANY
CUSTOMER PRODUCT SPECIFICATION

Part Number: 633
Page 1 of 2 Pages

Issue: 2
Issue Date: 10/25/2004
Effective Date: 10/25/2004

A. Cordage Construction

- 1) Conductor
 - a) Material Bare Copper, per ASTM B-3
 - b) AWG, Stranding 16, 26/30; Finer stranding may be used.

- 2) Insulation
 - a) Material EPDM Rubber
 - b) Nominal Diameter 0.120

- 3) Core Assembly
 - a) Number of Conductors 3
 - b) Color Code Black, White & Green/Yellow or Black, White & Green within Munsell® Component extended limits of deviation.
[Note: The stripe of the Green/Yellow insulation shall be 50% +/- 20%.]
 - c) Fillers Optional
 - d) Separator Tissue Paper

- 4) Jacket
 - a) Material SBR Rubber
 - b) Surface Finish Smooth, non-striated
 - c) Nominal Diameter 0.340
 - d) Color Black; within Munsell® Component limits of deviation
 - e) UL, CSA Type SJ**, Minimum
 - f) Jacket Marking Per UL Standard 62 and CSA C22.2 No. 49.

** Cordage Types with a UL/CSA rating greater than Type SJ may be substituted.

B. Cord Configuration

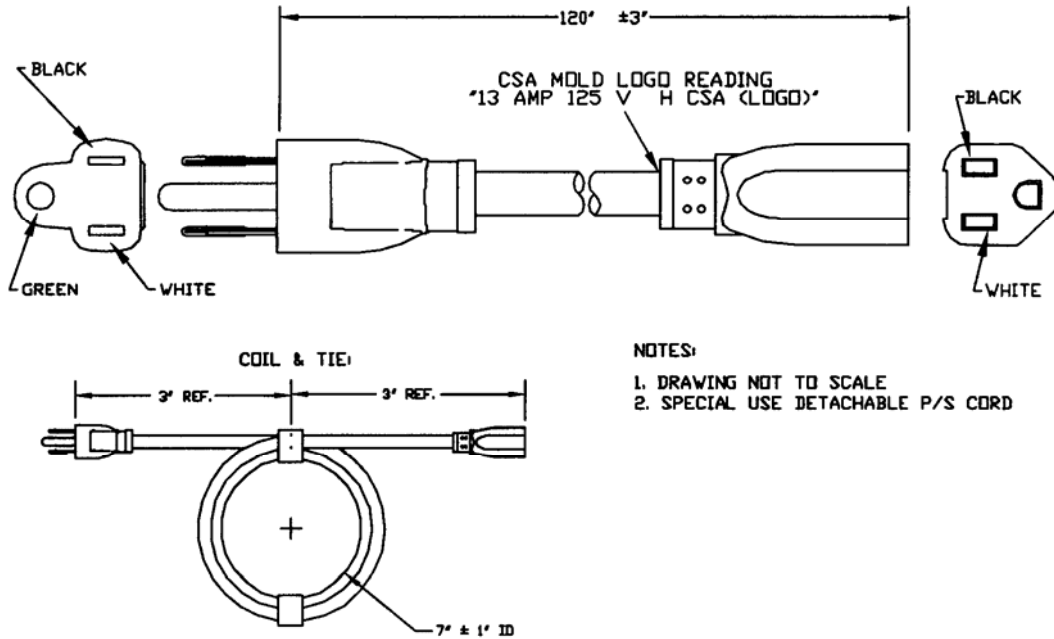
- 1) End 1 Molded Vinyl Grounding Plug, NEMA 5-15P
- 2) End 2 Molded Vinyl Grounding Plug, NEMA 5-15R
- 3) Mold Color Black
- 4) Overall Length 120" +/- 3"

Although Alpha Wire Company ("Alpha") makes every reasonable effort to ensure their accuracy at the time of this publication, information and specifications described herein are subject to error or omission and to change without notice, and the listing of such information and specifications does not ensure product availability. Alpha provides the information and specifications herein on an "AS IS" basis, with no representations or warranties, whether express, statutory or implied. In no event will Alpha be liable for any damages (including consequential, indirect, incidental, special, punitive, or exemplary damages) whatsoever, even if Alpha has been advised of the possibility of such damages, whether in an action under contract, negligence or any other theory, arising out of or in connection with the use, or inability to use, the information or specifications described herein.

ALPHA WIRE COMPANY
CUSTOMER PRODUCT SPECIFICATION

Part Number: 633
Page 2 of 2 Pages

Issue: 2
Issue Date: 10/25/2004
Effective Date: 10/25/2004



NOTES:

1. DRAWING NOT TO SCALE
2. SPECIAL USE DETACHABLE P/S CORD

C. Industry Approvals and Ratings

- | | |
|-----------------------|------------------------------------|
| 1) UL | UL Standard 817, UL Standard 62 |
| 2) CSA | CSA C22.2 No. 21, CSA C22.2 No. 49 |
| 3) Voltage Rating | 125 Vrms |
| 4) Current Rating | 13 Amps |
| 5) Temperature Rating | 60°C, Minimum |

D. Packaging Requirements

- | | |
|---------------------|-----------------------------|
| 1) Standard Package | 25 Pieces, placed in Carton |
|---------------------|-----------------------------|

Although Alpha Wire Company ("Alpha") makes every reasonable effort to ensure their accuracy at the time of this publication, information and specifications described herein are subject to error or omission and to change without notice, and the listing of such information and specifications does not ensure product availability. Alpha provides the information and specifications herein on an "AS IS" basis, with no representations or warranties, whether express, statutory or implied. In no event will Alpha be liable for any damages (including consequential, indirect, incidental, special, punitive, or exemplary damages) whatsoever, even if Alpha has been advised of the possibility of such damages, whether in an action under contract, negligence or any other theory, arising out of or in connection with the use, or inability to use, the information or specifications described herein.